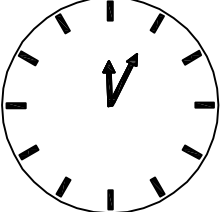
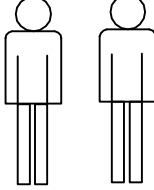


Imported by Amart Furniture Pty Ltd, Qld, Brisbane Australia.
For any assistance with assembly or for missing parts please phone
Amart Furniture Ewing Road, Customer Service Free Call 1800
351 084

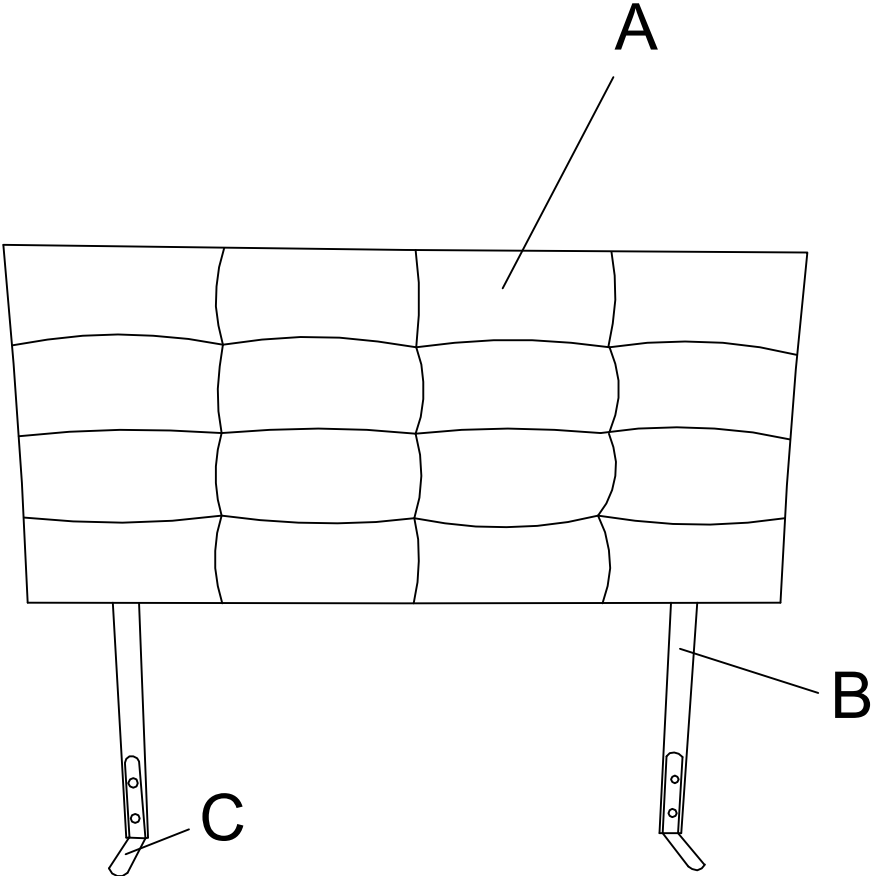
PRE-ASSEMBLY PREPARATION

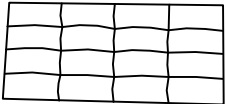
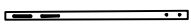
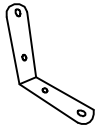




Before you start:

1. Choose a clean, level, spacious assembly area. Avoid hard surfaces that may damage the product
2. Take care when lifting. Product be assembled as near as possible to the point of use
3. Ensure that you have all required contents for complete assembly
4. Always read the assembly instructions carefully before beginning assembly
5. Keep all hardware parts and packaging out of small children
6. Do not over tighten the screws and bolts as this may damage the threads

	
ALLOW 5 MINUTES	2 PEOPLE REQUIRED

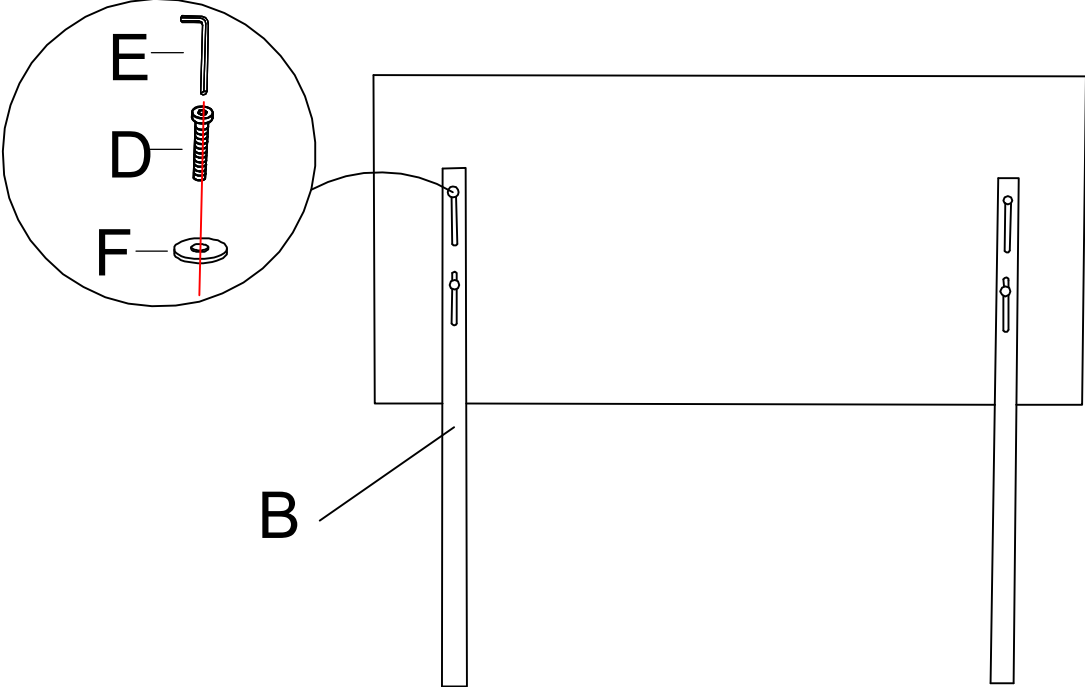
PARTS LIST



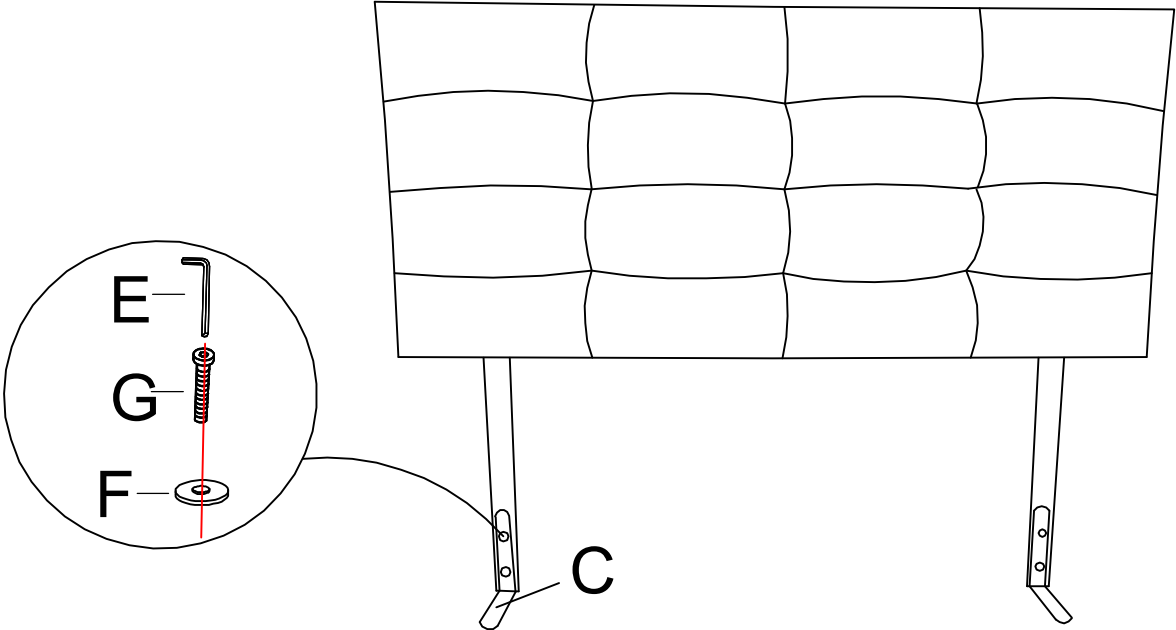
<p>A.1PC</p>  <p>Headboard</p>	<p>B.2PCS</p>  <p>Metal legs</p>	<p>C.2PCS</p>  <p>Brackets</p>	<p>D.4PCS(M8*50mm)</p>  <p>Bolt</p>	<p>E.1PC(M5*10mm)</p>  <p>Allen Key</p>
<p>F.8PCS*(M8)</p>  <p>Flat Washer</p>	<p>G.4PCS(M2*15mm)</p>  <p>Bolt</p>			

STEP 1:

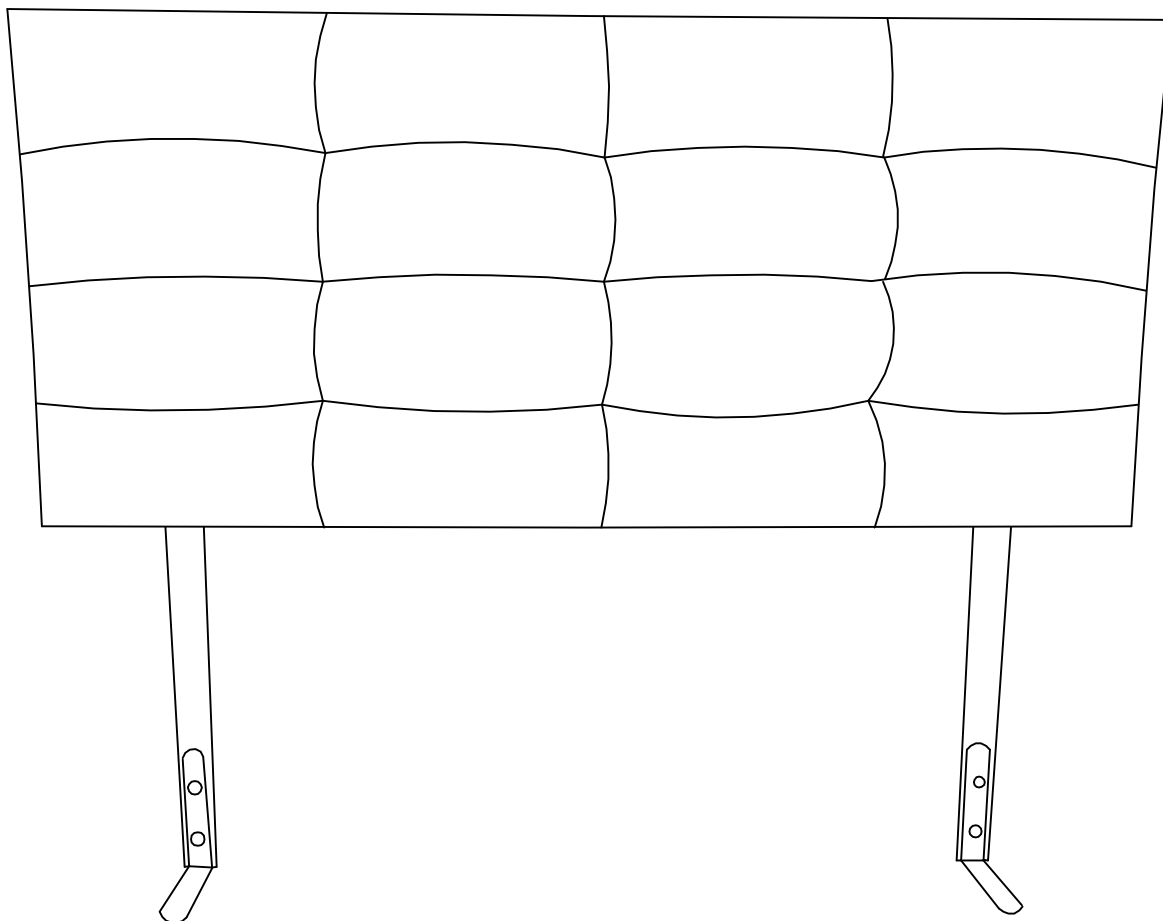
Attach legs(B) to base frame(A) ,using bolt(D) with flat washer(F),then fasten by allen key(E).With 2 people carefully turn over



STEP 2:



ASSEMBLY IS COMPLETE



Do not drag headboard on any surface, must be lifted.

CARE AND MAINTENANCE

FABRIC CARE

REGULAR CARE: PROTECT FROM DIRECT SUNLIGHT.
VACUUM REGULARLY USING LOW SUCTION. ROTATE
REVERSIBLE CUSHIONS REGULARLY.

CLEANING:

DO NOT REMOVE CUSHION COVERS FOR SEPARATE
CLEANING EVEN THOUGH THEY HAVE ZIPPERS.
DO NOT WASH
DO NOT DRY CLEAN
DO NOT SHAMPOO
CLEAN WITH HOT-WATER EXTRACTION MACHINE. (HOT)
PROFESSIONAL CLEANING RECOMMENDED DO NOT USE
DISHWASHING OR LAUNDRY
DETERGENTS
USE ONLY UPHOLSTERY DETERGENTS
DO NOT WET FILLING
DRY IN SHADE AWAY FROM DIRECT HEAT AND SUNLIGHT
ALLOW TO DRY THOROUGHLY BEFORE RE-USE

SPOT CLEANING:

DO NOT RUB
DO NOT SPOT CLEAN WITH ANY SOLVENT.
TREAT SPILLS AND STAINS AS SOON AS POSSIBLE.
GENTLY SCRAPE ANY SOIL OR MOP ANY LIQUID
FROM THE SURFACE OF THE FABRIC.
APPLY PROPRIETARY CLEANING AGENTS STRICTLY
ACCORDING TO INSTRUCTIONS TO REMOVE THE
RESIDUE OF THE SPILL.
DO NOT SATURATE THE FABRIC OR INTERIOR WITH
WATER OR OTHER CLEANING LIQUIDS.

WARNING: APPLY ONLY WATER-BASED SOIL RESIST (FABRIC
PROTECTION) TREATMENTS. DO NOT USE AEROSOL
PRODUCTS.